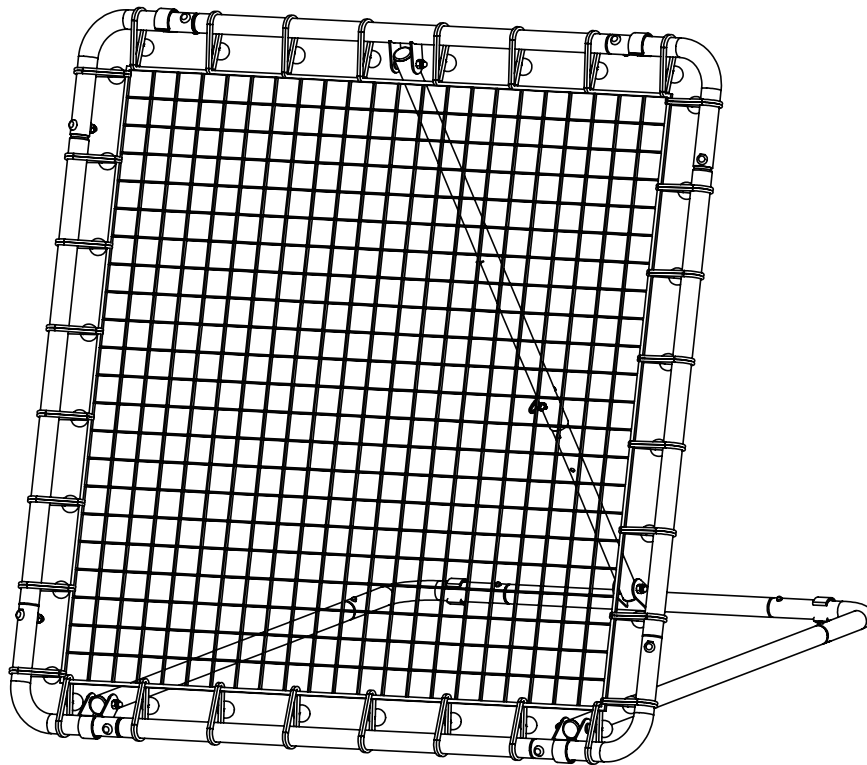




Rebounders

EXIT Tempo 1000



 **WARNING**
CHOKING HAZARD
small parts
Adult assembly required
retain for future reference

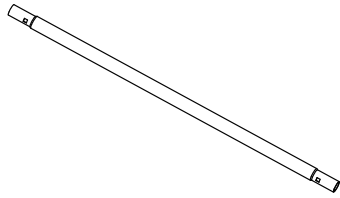




Rebounders

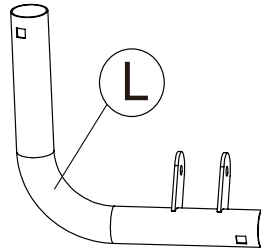
EXIT Tempo 1000

1



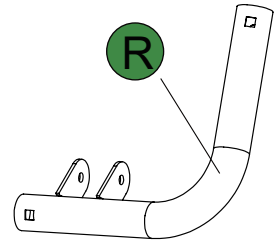
69.20.10.01 3X

2



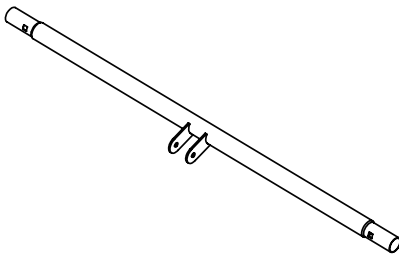
69.20.12.02 1X

3



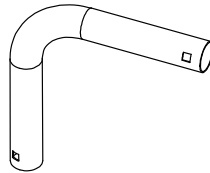
69.20.12.03 1X

4



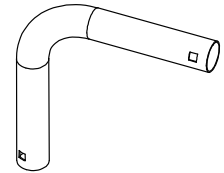
69.20.10.04 1X

5-G



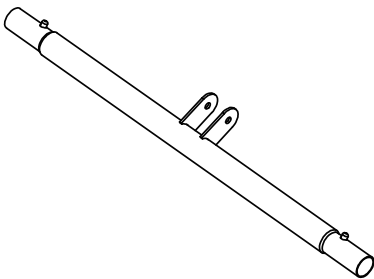
69.20.10.05 2X Green

5-B



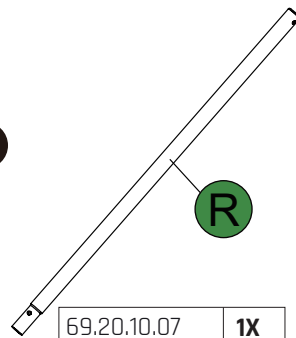
69.20.10.15 2X Black

6



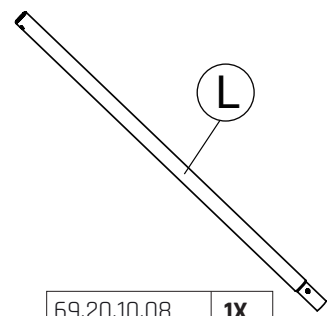
69.20.10.06 1X

7



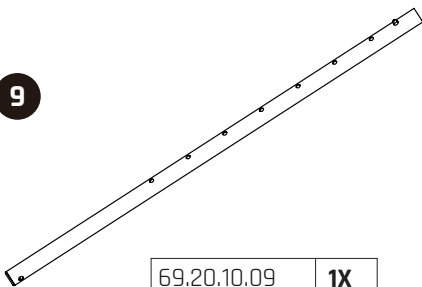
69.20.10.07 1X

8



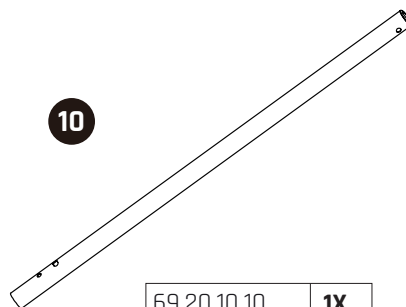
69.20.10.08 1X

9



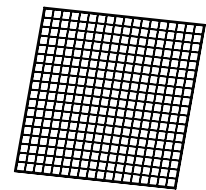
69.20.10.09 1X

10



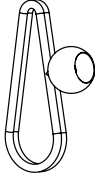
69.20.10.10 1X

11



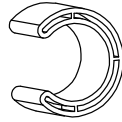
69.20.10.11 1X

12



69.60.44.00 **29X**

13



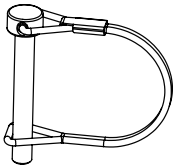
69.20.20.13 **6X**

14



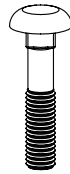
69.20.20.14 **4X**

21



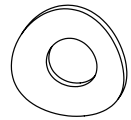
69.20.20.21 **1X**

15



M8X40 **8X**

16



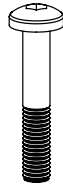
M8 **8X**

17



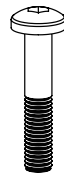
M8 **12X**

18



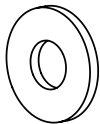
M8X50 **3X**

19



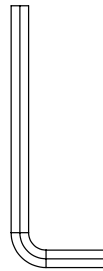
M8X47 **1X**

20

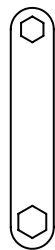


C0408000124 **8X**

22



C0906000034 **1X**



FD23022 **1X**

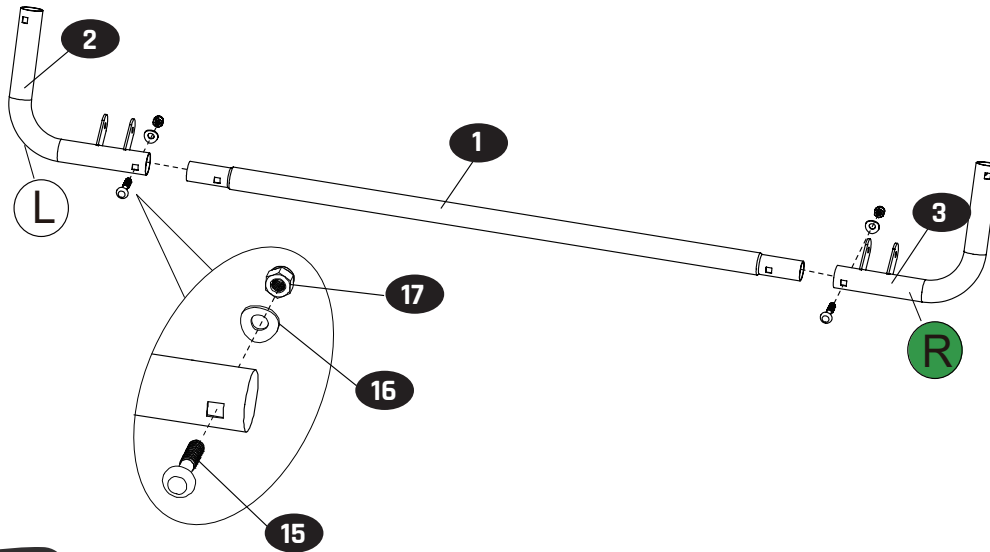
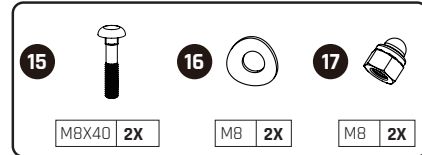
69.20.20.90

Rebounders

EXIT Tempo 1000

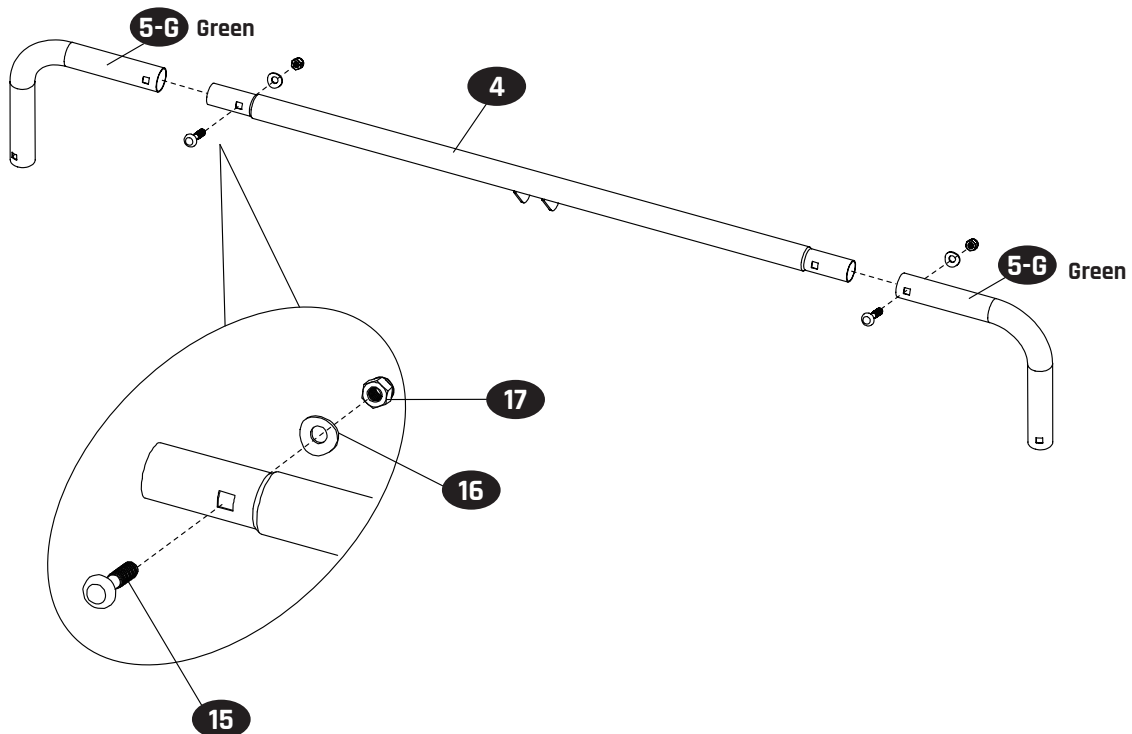
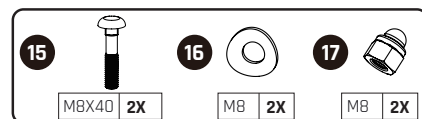
1

Part.Nr.	Qty
1	1
2	1
3	1

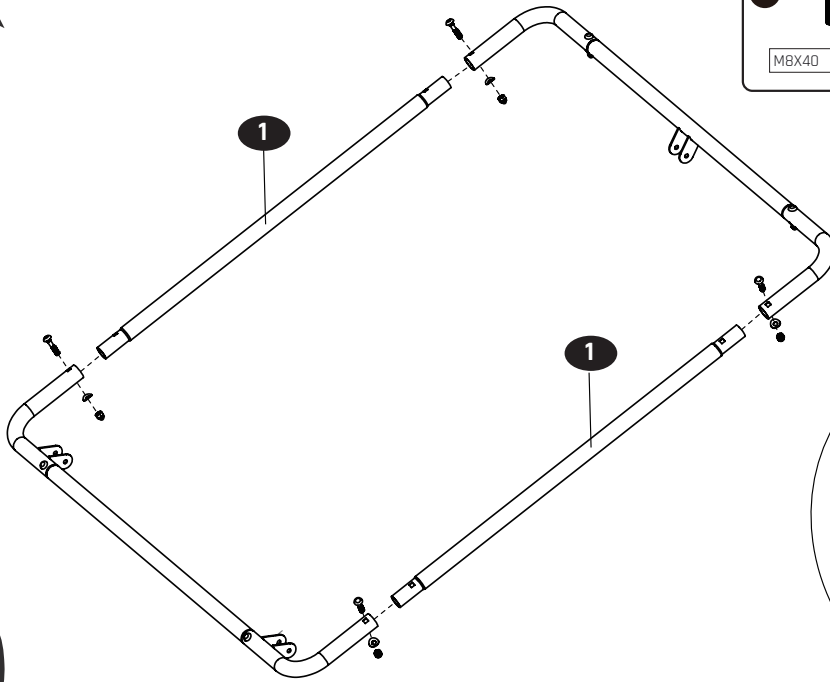


2

Part.Nr.	Qty
4	1
5-G	2

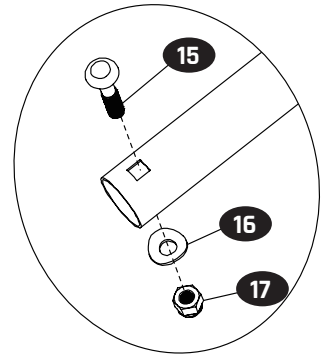


3

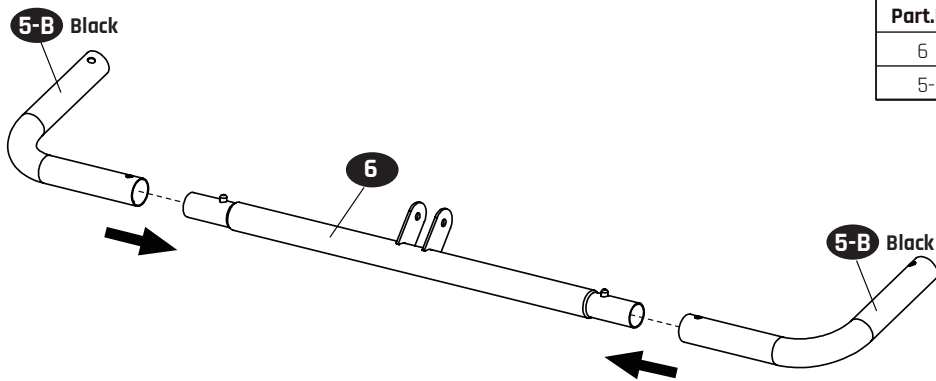


Part.Nr.	Qty
1	2

15		16		17	
MBX40	4X	MB	4X	MB	4X



4



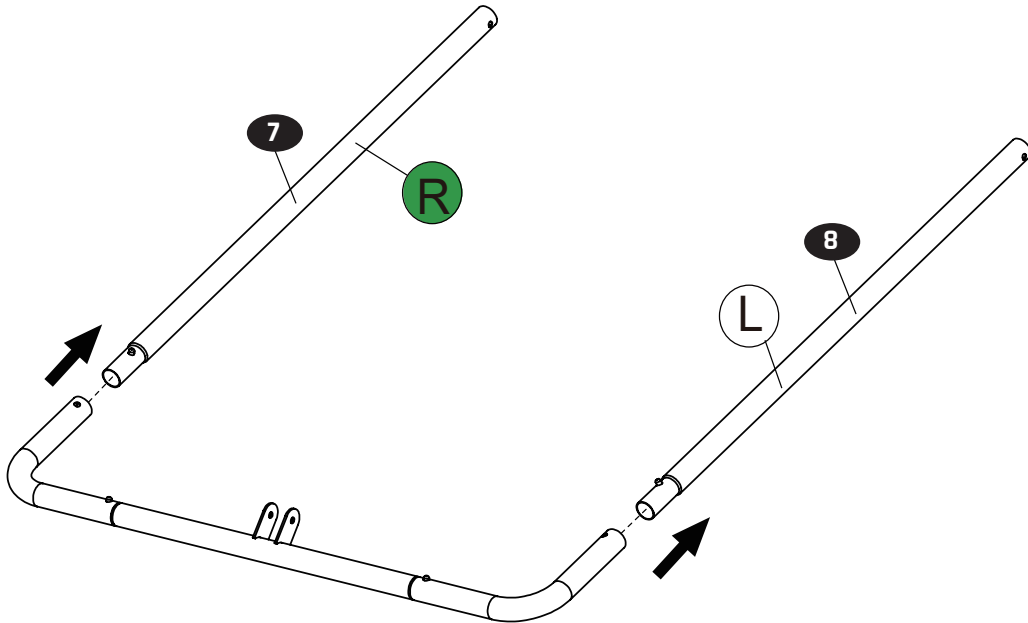
Part.Nr.	Qty
6	1
5-B	2

Rebounders

EXIT Tempo 1000

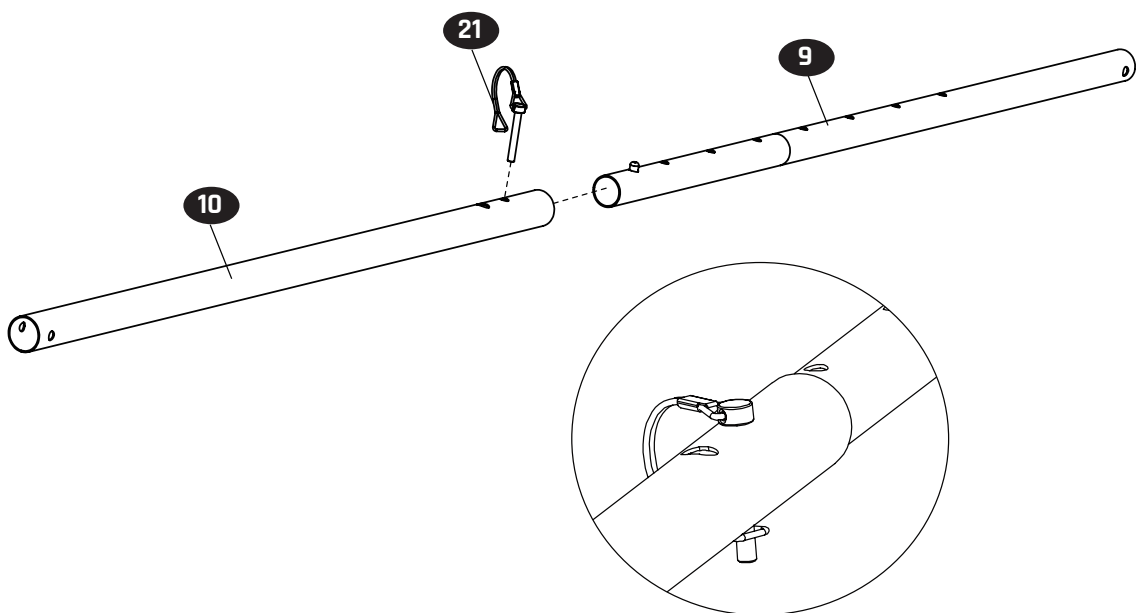
5

Part.Nr.	Qty
7	1
8	1

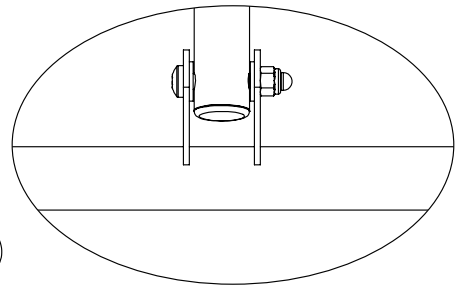
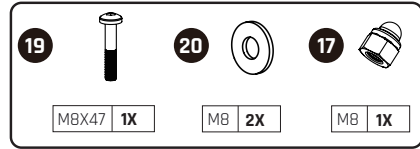
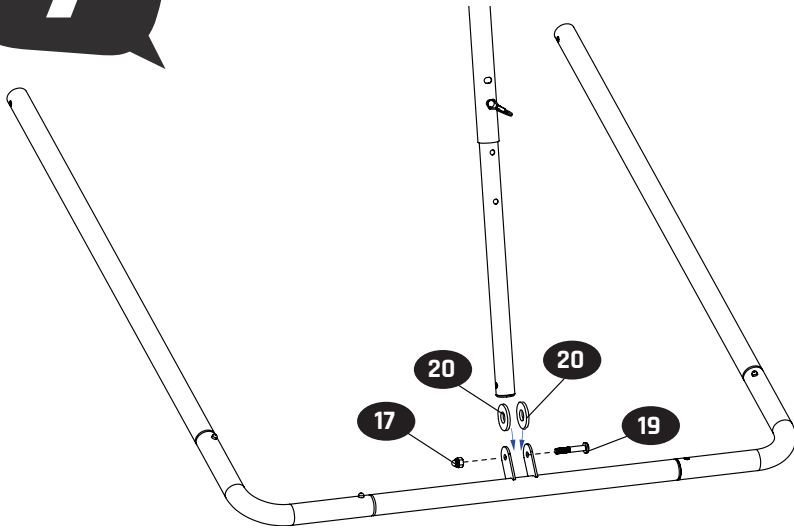


6

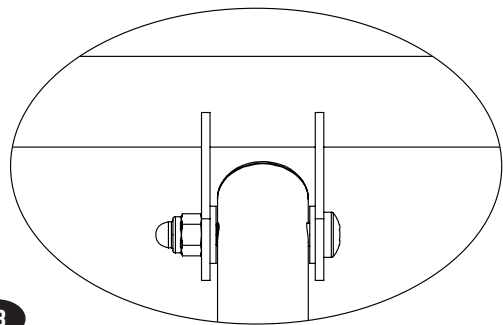
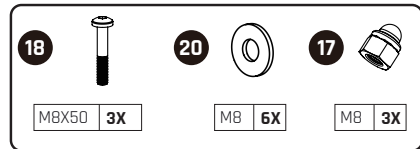
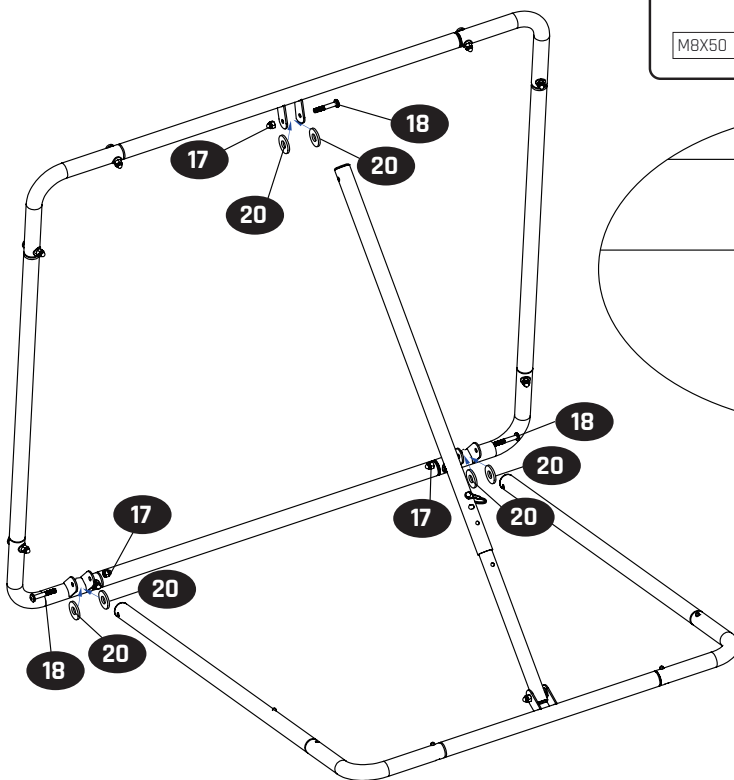
Part.Nr.	Qty
9	1
10	1
21	1



7



8

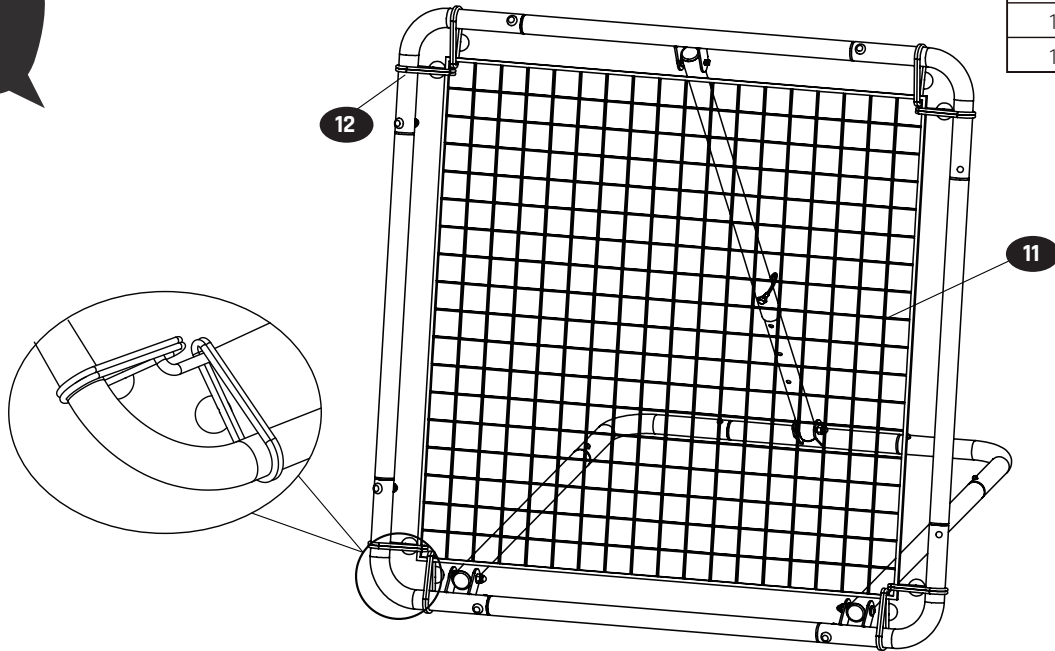


Rebounders

EXIT Tempo 1000

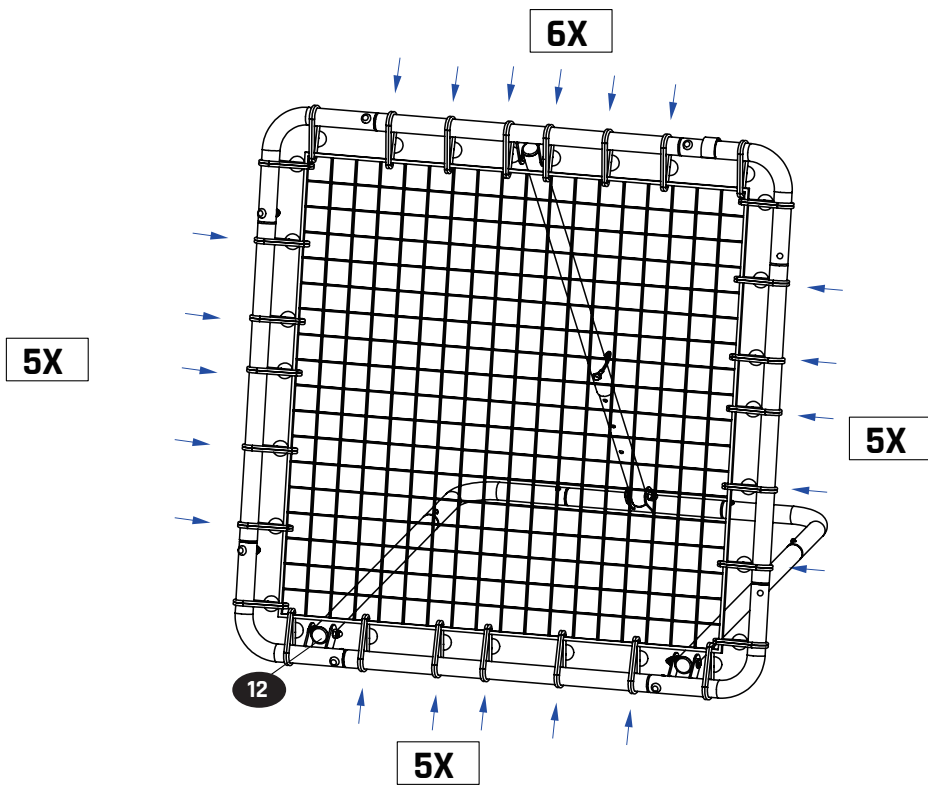
9

Part.Nr.	Qty
11	1
12	8

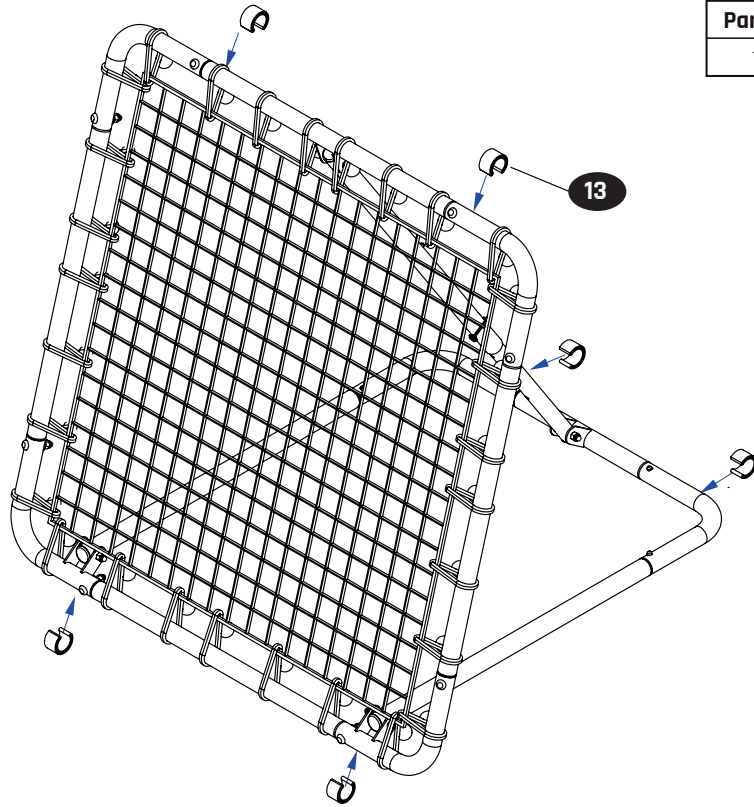


10

Part.Nr.	Qty
12	21

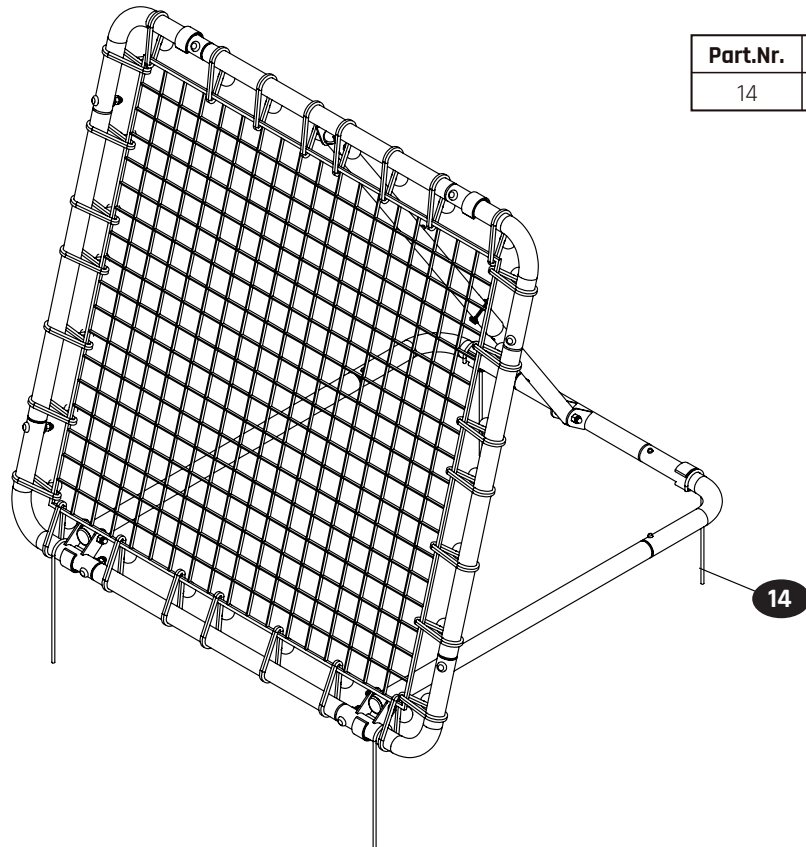


11



Part.Nr.	Qty
13	6

12



Part.Nr.	Qty
14	4

Rebounders

EXIT Tempo 1000



www.exittoys.com

Contact Information:

Dutch Toys Group B.V.
Edisonstraat 83
7006 RB Doetinchem, The Netherlands

info@exittoys.com
www.exittoys.com

EXIT Toys is part of:

SIMBA · DICKIE · GROUP

EXIT Toys is a registered trade mark of Dutch Toys Group